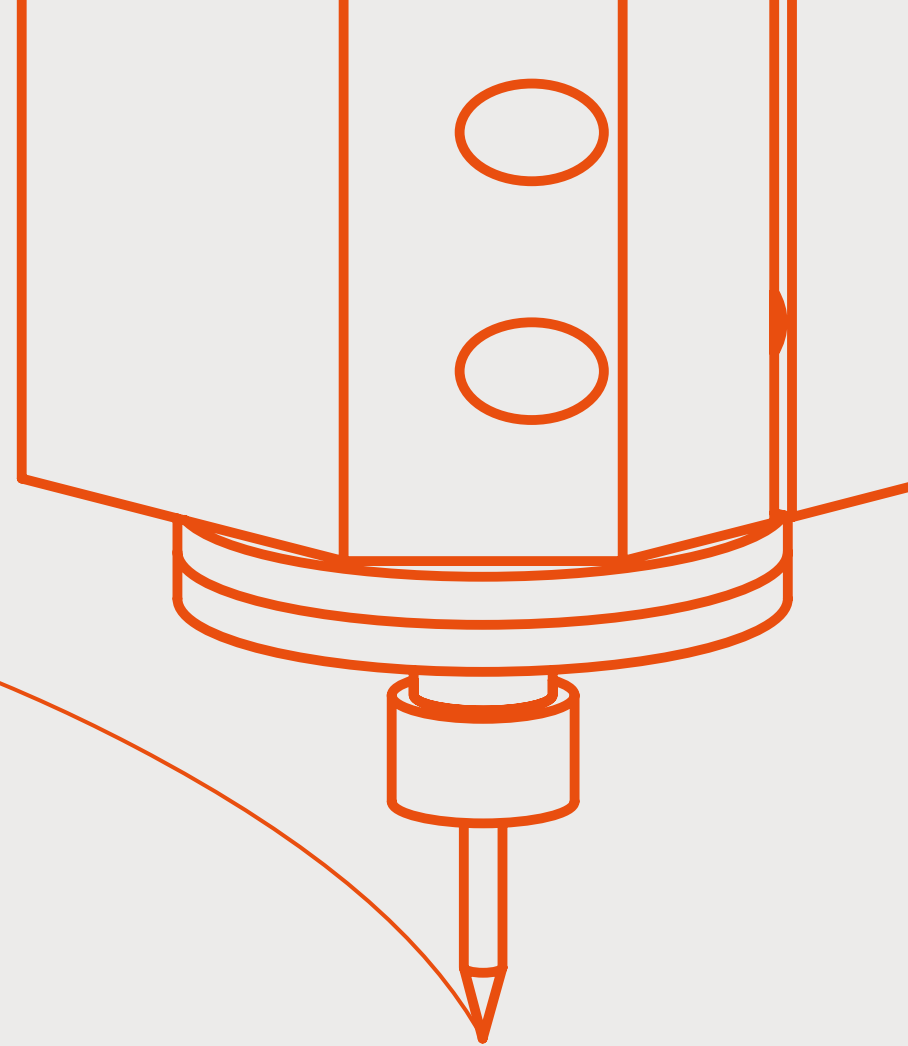




CNC ROUTERS AND MILLING MACHINES



COMAGRAV CNC ROUTERS

CNC milling and cutting routers COMAGRAV are highly durable, precise and reliable multifunctional machines, ideal for industrial and advertising applications.

The first COMAGRAV CNC router was made in 1999. Thanks to our development team, its youngest descendent COMAGRAV NOTUS PLUS is one of the top milling and cutting machine on the world market.

ACCURATE TO
HUNDREDTHS OF
A MILLIMETER



GUARANTEE OF THE
TOP QUALITY



MILLING, CUTTING
AND ENGRAVING



ADVANCED RICH
EQUIPMENT



INDIVIDUAL
CUSTOMIZED
SOLUTIONS



MULTIFUNCTIONALITY
AND RESPECTABLE
ACCURACY



EASY AND SAFE
OPERATION



INDUSTRIAL
DESIGN, RIGIDITY
AND LONGEVITY



SOLUTION FOR SMALLER
AND NON-STOP
OPERATIONS

CNC ROUTERS COMAGRAV ARE
SUCCESSFULLY USED IN A WIDE
RANGE OF INDUSTRIES AND PROCESS
ALMOST UNLIMITED AMOUNT OF
MATERIALS.

- ✓ MILLING OF ALUMINIUM AND STEEL
- ✓ CUTTING AND MILLING OF PLASTICS
- ✓ ADVERTISING AND SIGN MAKING
- ✓ PACKAGING INDUSTRY
- ✓ AUTOMOTIVE INDUSTRY
- ✓ MILLING OF WOOD AND MDF
- ✓ PROCESSING OF COMPOSITE
- ✓ CONSTRUCTION AND BUILDING INDUSTRY

COMAGRAV NOTUS PLUS

COMAGRAV NOTUS PLUS is an extremely powerful CNC router for professional production. It is an ideal workforce for continuous operations and massive productions in industrial and advertising applications. With this reliable helper you won't make a mistake.

- ▶ high pressure vacuum table
- ▶ servo motors, planetary gearboxes
- ▶ multifunctional head
- ▶ professional spindle
- ▶ automatic tool change
- ▶ tool magazine check by camera
- ▶ automatic tool measuring
- ▶ cyclone dust collector
- ▶ integrated spray cooling system
- ▶ advanced software and camera system
- ▶ vertical table
- ▶ rotary adapter

- rigid steel construction relieved of the stress by annealing
- spindle with power up to 13,2 kW
- spindle with speed up to 50.000 RPM

NUMBER
ONE AMONG
MULTIFUNCTIONAL
CNC ROUTERS

ALUMINIUM

PLEXIGLASS

PLASTICS

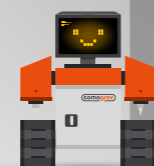
COMAGRAV NOTUS

COMAGRAV NOTUS is a high-quality multifunctional CNC router. It offers very solid performance, accuracy and speed of milling and cutting a wide range of materials in industrial or in advertising applications.

- ▶ high pressure vacuum table
- ▶ servo motors, planetary gearboxes
- ▶ multifunctional head
- ▶ professional spindle
- ▶ automatic tool change
- ▶ tool magazine check by camera
- ▶ automatic tool measuring
- ▶ cyclone dust collector
- ▶ integrated spray cooling system
- ▶ advanced software and camera system
- ▶ vertical table
- ▶ rotary adapter



RELIABLE
MULTIFUNCTIONAL
PROFESSIONAL



- rigid steel construction
- spindle with power up to 9,6 kW
- spindle with speed up to 50.000 RPM
- processed material thickness up to 300 mm

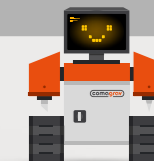
COMAGRAV MISTRAL

COMAGRAV MISTRAL offers robustness and durability of large COMAGRAV machines in a smaller design. It is a very reliable machine for milling and engraving in productions, where the large working area isn't required.

- ▶ high pressure vacuum table
- ▶ professional spindle
- ▶ automatic tool change
- ▶ automatic tool measuring
- ▶ integrated spray cooling system
- ▶ cyclone dust collector
- ▶ servo motors
- ▶ advanced software and camera system



- steel, partially welded construction
- spindle with power up to 5,6 kW
- spindle with speed up to 60.000 RPM



POWERFUL
ROUTER FOR
SMALLER
OPERATIONS

COMAGRAV ECO

COMAGRAV ECO is a basic CNC router of the COMAGRAV family. It is economically and ecologically friendly helper especially for milling plastics, wood and metals. Despite its simplicity and low price, it is very reliable and precise.

- ▶ high pressure vacuum table
- ▶ professional spindle
- ▶ automatic tool measuring
- ▶ spray cooling system
- ▶ dust collector
- ▶ stepping motors, planetary gearboxes
- ▶ advanced software and camera system

- steel construction with crossbars
- spindle with power up to 2 kW
- spindle with speed up to 24.000 RPM



GREAT
VALUE FOR
MONEY

MODULES

Milling, engraving, tangential and oscillating cutting, grooving and prototyping with the only one router and MULTI head COMAGRAV.

- ▶ high speed professional spindles
- ▶ electric oscillating knife
- ▶ pneumatic oscillating knife
- ▶ motorised cutting disc
- ▶ universal cutting modules
- ▶ module for direct cutting
- ▶ pen module with pneumatic parking

SOFTWARE

Easy and intuitive operation thanks to highly advanced software from the COMAGRAV development team.

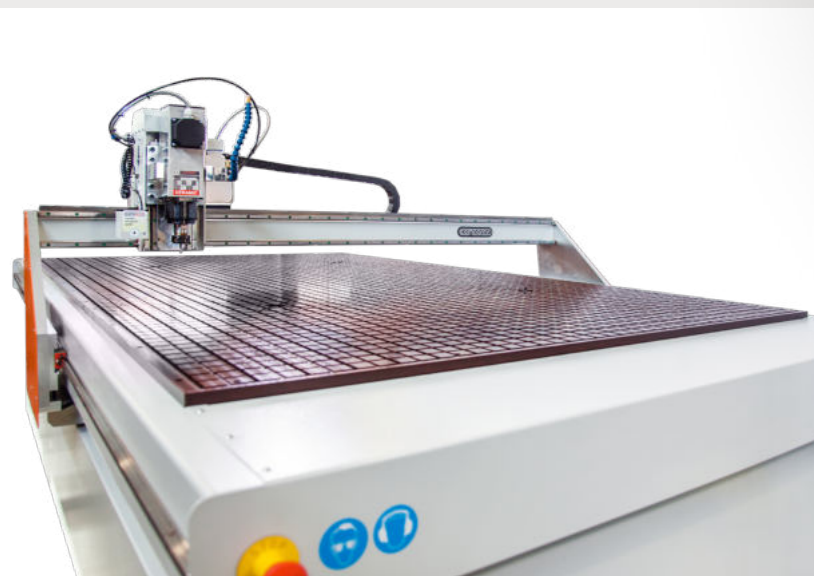
- ▶ COMAGRAV control software PILOT TDP
- ▶ compatibility with RIP software
- ▶ library of materials and presets
- ▶ reading QR codes by camera system
- ▶ software for milling, engraving and cutting
- ▶ software for packaging

TOOLS

Milling tools, knives and universal tools COMAGRAV of the highest quality.

- ▶ milling and engraving tools
- ▶ oscillating knives
- ▶ fixed knives
- ▶ Kiss-cut and V-cut tools
- ▶ creasing and cutting wheels

- up to 4 modules at once
- 8 types of modules
- over 40 types of cutting tools
- over 100 types of milling tools



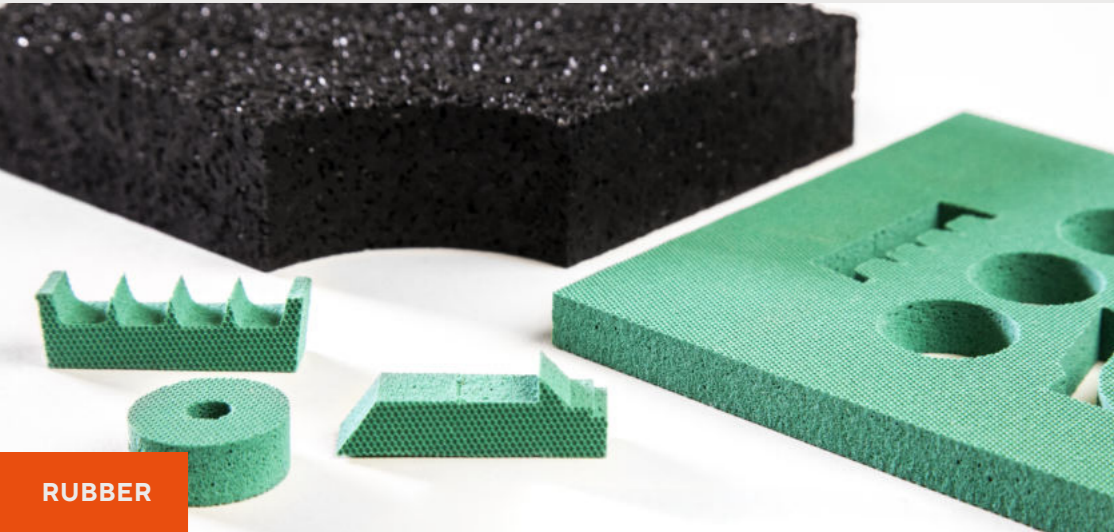
APPLICATIONS

COMAGRAV CNC routers are perfect for precise milling and cutting stiffer and thicker materials, such as metals, wood and MDF, plastics, foams, composites and many others.

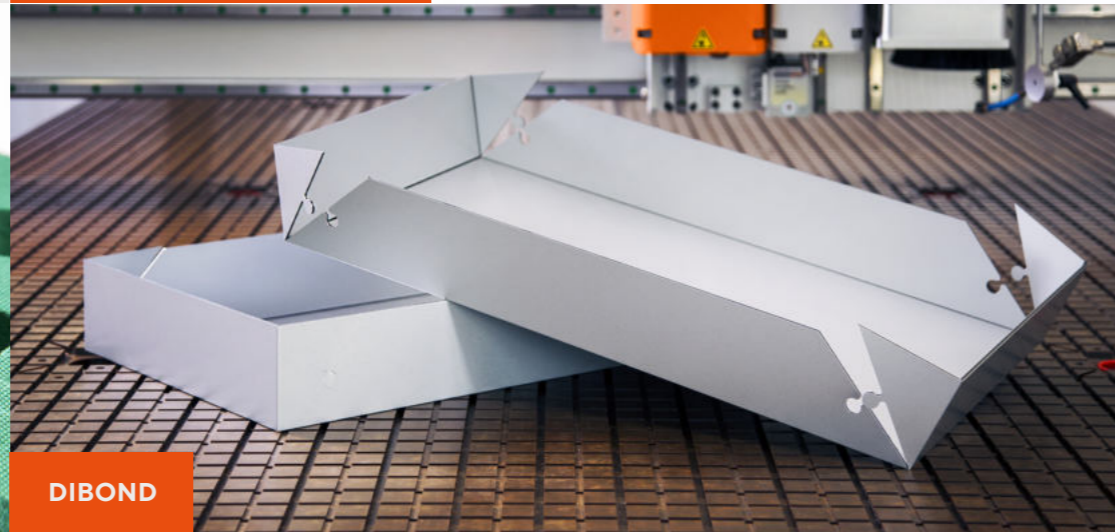
AN IDEAL SOLUTION FOR THE INDUSTRY, ADVERTISING AND PACKAGING



GASKET AND INSULATION



RUBBER



DIBOND



FOAM



MDF



TEST YOUR MATERIAL DIRECTLY IN OUR SHOWROOM

**WE DON'T STOP
IMPROVING CUTTING
TECHNOLOGIES.**



CONTACT US!

WWW.COMAGRAV.COM

INFO@COMAGRAV.COM

+ 420 603 252 084

+ 420 317 778 022

